

## Multi-Function Sensor

The Prolojik PS433 series mini DALI addressable multi-function sensor delivers high accuracy measurement in a discreet form factor.

Prolojik PS433 sensors incorporate a relative humidity sensor above the standard PS432 range and has been designed to complement the Prolojik range of lighting control modules and DALI controllers and are available in a range of lens types and finishes. All sensors only occupy a single DALI address.



### Key Features

- Passive infra-red sensor
- Light level sensor
- Temperature sensor
- Active infra-red receiver
- Other RAL colours available upon request
- Relative humidity sensor

### Accessories

DSC05	5 meter DALI cable
DSC10	10 meter DALI cable
DSC15	15 meter DALI cable
GC310	IR scene controller
PC032	DALI plug
PC032T	DALI T plug

Order separately



## Specification

### Occupancy

Sensor type: Passive Infra-red, Quad Element  
Field of view: 360°  
Coverage: At 2.5m ceiling - 7 meters max

### Light Level

Sensor type: Photo-diode  
Accuracy: +/- 5% across range  
Field of View: 360°

### Temperature

Sensor range: 0 to +56°C

### Active Infra-red Receiver

Used for DALI addressing  
Used for dimming & scene setting

### Environment

Storage  
Temperature: -10°C to +60°C  
Humidity: 0% - 90% non-condensing

### In Use

Temperature: 0 to +56°C  
Humidity: 10% - 90% non-condensing

### Conformity & Standards

EMC immunity EN50082-1  
EMC emissions EN50081-1  
Housing material flame-proof ABS  
DALI & NEMA compliant  
IEC Standard 62386-102  
NEMA Standard NS243-2004  
Supports DALI 2 & 3 byte protocol  
ARCOM MasterSpec 2013 Classification 29 09 23 IP rating when installed IP31

### Dimensions

21.5mm deep (29.5mm with plug) x 52.2mm diameter  
Weight 22g  
Cut out diameter: 40mm

### Commissioning Aids

Occupancy walk test via LED – single flash  
IR reception from PC100/PC310– triple flash  
Reboot – Rapid Flash

### Installation

For use with ceiling tiles from 1 to 20 mm thick  
A hole of 40mm diameter should cut in the tile before fitting  
Do NOT fit within one meter of forced air heating or ventilation, or other sources of heat or draughts  
Do NOT obscure sensor by fixtures and fittings  
Do NOT fit on a moving or vibrating surface

### PS432 Connector

PC032 2 pole screw terminal connector (for DA, DA connections) Plug not included (Available from Prolojik)  
PC032T Network T screw terminal connector (for DA, DA connections) Plug not included (Available from Prolojik)

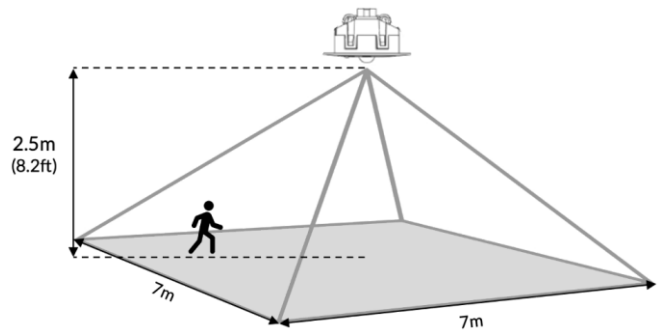
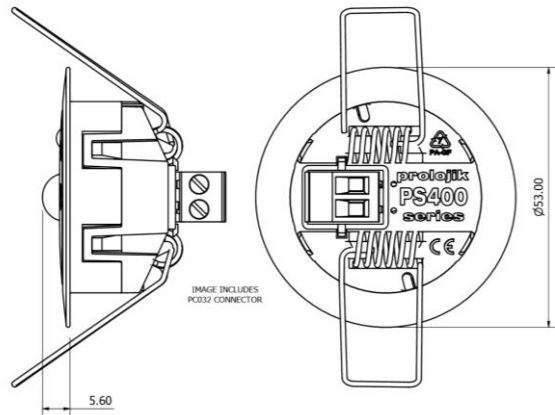
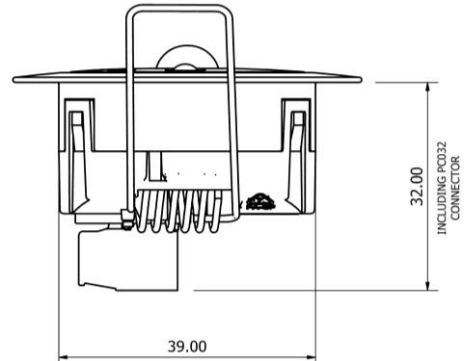
### Power Consumption

4mA nominal consumption at 15V DALI bus voltage

### Colour

White – RAL9003  
Black – RAL9005

## Technical Data



[www.prolojik.com](http://www.prolojik.com)



+44 (0) 1495 515 100



[info@prolojik.com](mailto:info@prolojik.com)



Perspective House, 7 Cliveden Office Village,  
Lancaster Road, High Wycombe, HP12 3YZ

plexus

