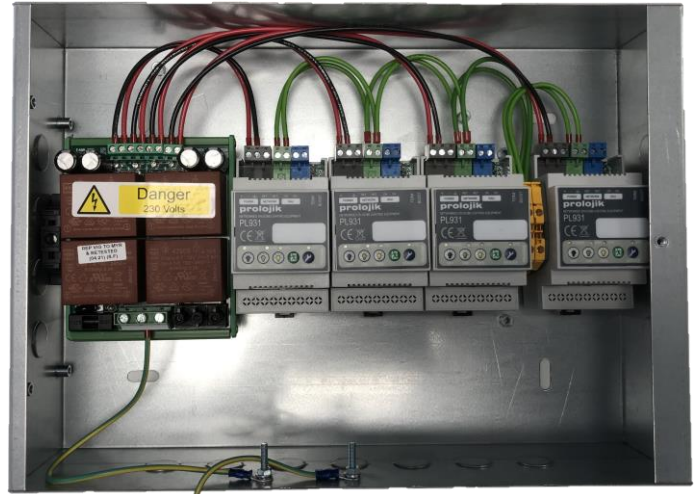


The Prolojik PL340 range encapsulates the networking benefits of Prolojik's lighting solutions and the installation benefits of DALI.

The Prolojik PL340 raises the DALI functionality to a new level, providing unparalleled device and control density.

The controllers can be configured for control of up to 4x64 DALI ballasts, DALI emergency inverters, DALI sensors, DALI scene setting plates or DALI switch interfaces.



### Key Features

- 4x64 DALI slave devices
- Provides benefits of DALI control & monitoring
- DALI bus short circuit protection
- LED indication of power, network, DALI
- Override on, off, dim buttons



### Specification

#### Features

- 250 mA drive per DALI bus
- 4x64 DALI addresses
- Fully networked solution
- Fail-safe mode to occupied state
- LED indication for power, network, DALI
- Override on, off, dim buttons

#### Networking

LonWorks™ network TP/FT-10 (Capacitor Decoupled)

#### Connections

- Mains input
- L, E, N Screw Terminal connections
- DALI Bus
- D1, D2 screw terminal connections for each DALI bus

#### Dimensions

355mm x 260mm x 80mm (L x W x H)

#### Override Buttons

- Broadcast off
- Broadcast on
- Broadcast dim

#### Safety

- EN 60 950
- Isolation: 4kV between mains & outputs

#### Conformity & Standards

- Generic emission: EN 50 081 part 1
- Generic immunity: EN 50 082 part 1
- RFI: EN 55 014
- LonMark™ compliant
- DALI compliant

#### Environment

- Storage
  - Temperature: -10°C - +60°C
  - Humidity: 0% - 90% non-condensing
- In Use
  - Temperature: 0°C - +40°C
  - Humidity: 10% - 90% non-condensing

#### Mains Supply

- 100 230VAc, 47-63Hz
- 5A unswitched fused spur (1A minimum)

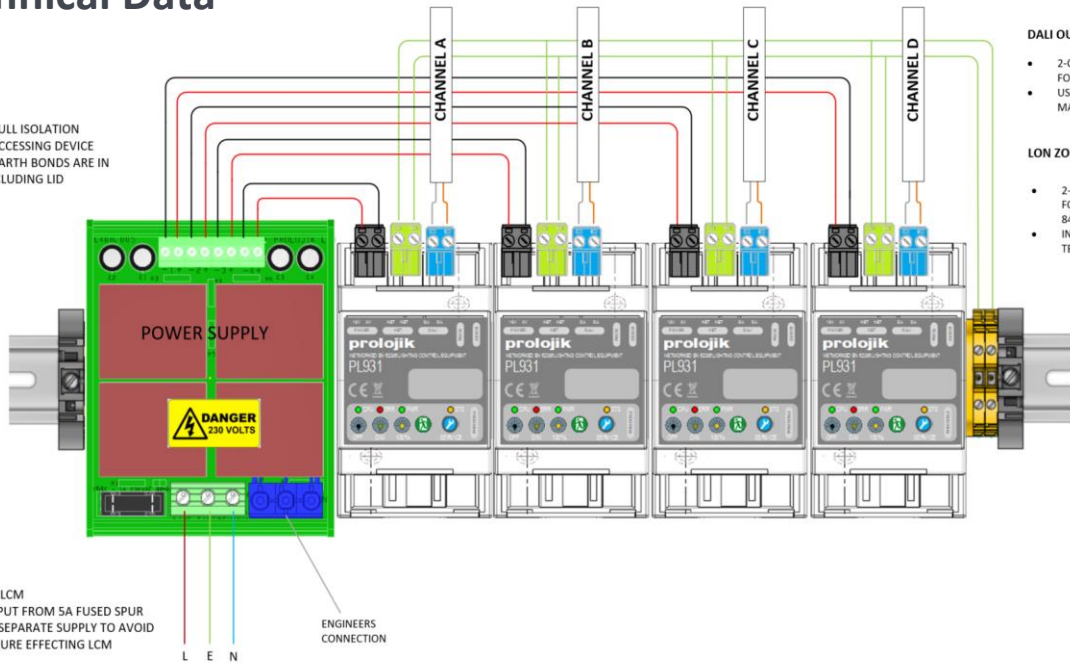
#### Output

- DALI bus output or outputs (for 64 DALI addresses each)
- Output isolation: 4kV
- Connection: Rising clamp screw terminal

### Technical Data

#### GENERAL

- ENSURE FULL ISOLATION BEFORE ACCESSING DEVICE
- ENSURE EARTH BONDS ARE IN PLACE INCLUDING LID



#### DALI OUTPUT (BLUE)

- 2-CORE DALI CONNECTION FOR DALI LUMINAIRES
- USE 1.5MM CROSS SECTION MAINS RATED CABLE ONLY

#### LON ZONE NETWORK (GREEN)

- 2-CORE LON NETWORK CONNECTION FOR LCM NETWORK USING BELDEN 8471NH OR EQUIVALENT
- INTERCONNECT ALL LCMs IN ZONE AND TERMINATE AT AREA CONTROLLER

#### LCM SUPPLY

- CONNECTION FOR LCM
- 3 CORE POWER INPUT FROM 5A FUSED SPUR
- WE RECOMMEND SEPARATE SUPPLY TO AVOID LOAD CIRCUIT FAILURE EFFECTING LCM

ENGINEERS CONNECTION



[www.prolojik.com](http://www.prolojik.com)



+44 (0) 1495 515 100



[info@prolojik.com](mailto:info@prolojik.com)



Perspective House, 7 Cliveden Office Village,  
Lancaster Road, High Wycombe, HP12 3YZ

plexus

