

PS

581



Multi-Function Track Sensor

The Prolojik **PS581** series Bluetooth 4.2 multi-function sensor goes beyond control and monitoring to provide sophisticated telemetry.

The Prolojik **PS581** sensor has been designed to fit the Eutrac 98-666 type adaptor and mounts directly onto the Eutrac 3~ Track. Incorporates its own PSU and its available in a range of lens types and finishes.

This sensor offers direct Bluetooth communication, creating a mesh network system, to the Prolojik PL17x series of BLE DALI interface nodes for OEM luminaires and the GN100 Edge Gateway. This sensor adds to the Bluetooth network, allowing data collection and collation of occupancy, daylight, temperature, asset tracking and Bluetooth® BLE telemetry data to be shared via a cloud based UI or head end PC for smart analytics.




Key Features


- Passive infra-red sensor
- Light level sensor
- Temperature sensor
- Integrated Bluetooth® BLE gateway
- High throughput LinkPower network



 www.prolojik.com

 +44 (0) 1495 515 100

 info@prolojik.com

 Perspective House, 7 Cliveden Office Village,
Lancaster Road, High Wycombe, HP12 3YZ

proxima

©2002-2021 Prolojik Limited. All rights reserved.

All wiring must be carried out by a qualified electrician in accordance with the current edition of the wiring regulations and any applicable regional standards.

Prolojik maintains a policy of ongoing improvement, and the information herein is subject to change without notice.



Multi-Function Track Sensor

Specification

Occupancy

Sensor type: Passive Infra-red, Quad Element
 Field of view: 360°
 Coverage: At 2.5m ceiling - 7 meters max

Light Level

Sensor type: Photo-diode
 Accuracy: +/- 5% across range
 Field of View: 360°

Temperature

Sensor range: 0 to +56°C

Bluetooth Range

Up to 40 meters bi directional communication

Environment

Storage
 Temperature: -10°C to +60°C
 Humidity: 0% - 90% non-condensing

In Use

Temperature: 0 to +56°C
 Humidity: 10% - 90% non-condensing

Conformity & Standards

EMC immunity EN50082-1
 EMC emissions EN50081-1
 Housing material flame-proof ABS
 ARCOM MasterSpec 2013 Classification 29 09 23

Certification:

Bluetooth 4.2 qualified single mode module
 QDID: 82978
 Declaration ID: D030801
 Certified to FCC, CE MIC, KC and IC regulations

Radio Power:

Maximum TX output power: 3 dbm
 RX Receive Sensitivity: -89 dbm
 Received signal strength indicator (RSSI) with 1-db resolution

Radio Power Consumption:

TX current consumption: 15.6mA (radio only, 0 dbm)
 RX current consumption: 16.4mA (radio only)

Dimensions

203.0mm x 32.2mm x 33.0mm

Commissioning Aids

Occupancy walk test via LED – single flash
 Bi-colour LED reports sensor CPU status
 Identify via cluster mesh commands and App

Installation

For use on Eutrac 3~ Track

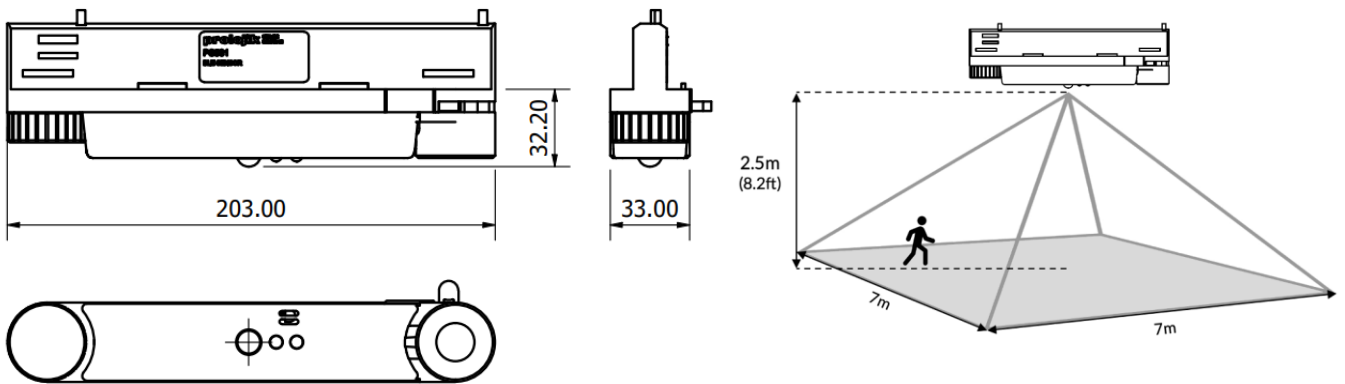
Power Consumption

20mA in transmit, 8mA in receive

Colour

Silver

Technical Data



Do NOT fit within one meter of forced air heating or ventilation, or other sources of heat or draughts
 Do NOT fit so that direct sunlight or artificial light passes straight into the unit
 Do not obscure sensor by fixtures and fittings
 Do NOT fit on a moving or vibrating surface



www.prolojik.com



+44 (0) 1495 515 100



info@prolojik.com



Perspective House, 7 Cliveden Office Village,
 Lancaster Road, High Wycombe, HP12 3YZ

proxima

