

The Prolojik PC010 is a Plexus DALI marshalling hub.

Offering a simple plug and play marshalling box with mains connections for up to 20 lights plus DALI connections.



### Key Features

- 10 port marshalling box
- Fully pluggable design
- 2 separate DALI ports for sensor connection

### Accessories

- |        |                             |
|--------|-----------------------------|
| PC015F | (1) 5 pole Mains Connector  |
| PC015M | (10) 5 pole Connector       |
| PC015T | 5 pole T Connector          |
| PC032  | 2 pole DALI Connector       |
| PC032T | 2 pole T DALI Connector     |
| PC086  | 5 pole / 5 core / 5m cable  |
| PC085  | 5 pole / 5 core / 10m cable |
| PC084  | 5 pole / 5 core / 15m cable |

Order separately



### Specification

#### Features

10 output Marshalling hub  
 DALI and mains power  
 Simple integration and wiring  
 Extra low depth for shallow ceiling voids  
 Screw mounting kit included

#### Outputs

10 x mains and DALI  
 2 x DALI connectors for sensors

#### Inputs

1 x 5 pole mains and DALI

#### Dimensions

Ø259mm x 50.5mm

#### Fixings

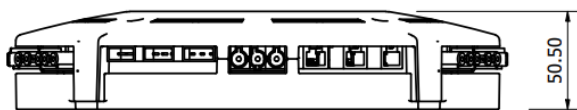
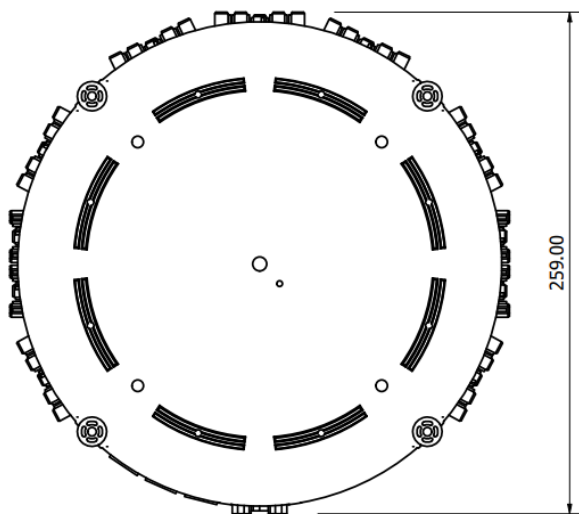
2 x 9mm fixings holes (suitable for drop rod and surface mounting)  
 4 x 7mm holes for drop rod or surface mounting

#### Safety

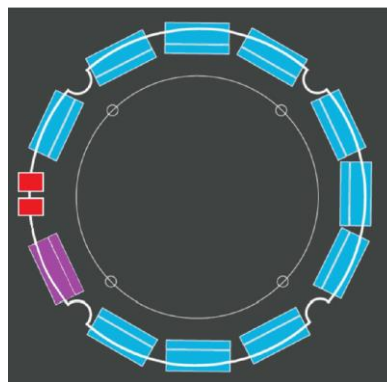
BS EN 62368  
 Isolation: 4kV between mains and sensors control

#### Conformity and Standards

EMC emissions: EN 61000-6-3  
 EMC immunity: EN 61000-6-1



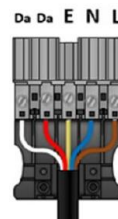
### Technical Data



- Luminaire Output
- Sensor Input
- Mains Input

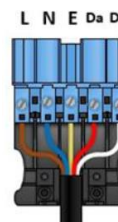
#### Input Power

Wieland GST18i5 female plug  
 Prolojik part: PC015F  
 Wieland Order: 92.953.4453.1  
 16 A 250V rating  
 Screw terminal for L, N, E  
 Cable cross section area from 0.5 to 2.5mm<sup>2</sup>



#### Output Power

10 ports Wieland GST18i5 male plug blue  
 Prolojik part: PC015M  
 Wieland Order: 92.954.4453.0  
 16 A 250V rating  
 Screw terminal for L, N, E, DALI + and DALI -  
 Cable cross sections from 0.5 to 2.5mm<sup>2</sup>



#### Sensor Input

2 pole screw terminations for Sensors  
 Prolojik part: PC032



#### Environment

Storage  
 Temperature: -10°C – +50°C  
 Humidity: 0% – 90% non-condensing

In Use  
 Temperature: 0°C – +40°C  
 Humidity: 10% – 90% non-condensing

#### Mains Input

Mains supply: 230Vac +/- 10%: 50Hz/60Hz 16A MAX  
 Connections: Input male socket PC015F

