

PS

481C



Multi-Function Sensor Surface / Conduit Mount

The Prolojik **PS481C** series Bluetooth 4.2 multi-function sensor goes beyond control and monitoring to provide sophisticated telemetry.

The Prolojik **PS481C** sensor has been designed for surface and conduit mounting.

It incorporates its own PSU and is available in a range of lens types and finishes.

This sensor offers direct Bluetooth communication, creating a mesh network system, to the Prolojik PL17x series of BLE DALI interface nodes for OEM luminaires and the GN100 Edge Gateway. This sensor adds to the Bluetooth network, allowing data collection and collation of occupancy, daylight, temperature, asset tracking and Bluetooth® BLE telemetry data to be shared via a cloud based UI or head end PC for smart analytics.



Key Features

- BLE signal repeater
- Passive infra-red sensor
- Light level sensor
- Active infra-red receiver
- Other RAL colours available upon request

Accessories

Order separately

 www.prolojik.com

 +44 (0) 1495 515 100

 info@prolojik.com

 Perspective House, 7 Cliveden Office Village,
Lancaster Road, High Wycombe, HP12 3YZ

proxima

©2002-2021 Prolojik Limited. All rights reserved.

All wiring must be carried out by a qualified electrician in accordance with the current edition of the wiring regulations and any applicable regional standards.

Prolojik maintains a policy of ongoing improvement, and the information herein is subject to change without notice.

Multi-Function Track Sensor Surface / Conduit Mount

Specification

Occupancy

Sensor type: Passive Infra-red, Quad Element
Field of view: 360°
Coverage: At 2.5m ceiling - 7 meters max

Light Level

Sensor type: Photo-diode
Accuracy: +/- 5% across range
Field of View: 360°

Temperature

Sensor range: 0 to +56°C

Bluetooth Range

Up to 40 meters bi directional communication

Environment

Storage
Temperature: -10°C to +60°C
Humidity: 0% - 90% non-condensing

In Use

Temperature: 0 to +56°C
Humidity: 10% - 90% non-condensing

Conformity & Standards

EMC immunity EN50082-1
EMC emissions EN50081-1
Housing material flame-proof ABS
ARCOM MasterSpec 2013 Classification 29 09 23

Certification:

Bluetooth 4.2 qualified single mode module
QDID: 82978
Declaration ID: D030801
Certified to FCC, CE MIC, KC and IC regulations

Radio Power:

Maximum TX output power: 3 dbm
RX Receive Sensitivity: -89 dbm
Received signal strength indicator (RSSI) with 1-db resolution

Radio Power Consumption:

TX current consumption: 15.6mA (radio only, 0 dbm)
RX current consumption: 16.4mA (radio only)

Dimensions

53mm deep x 110mm diameter
Weight 80g

Commissioning Aids

Occupancy walk test via LED – single flash
Reboot – Rapid Flash
Bi-colour LED reports sensor CPU status

Power Consumption

20mA in transmit, 8mA in receive

Connections

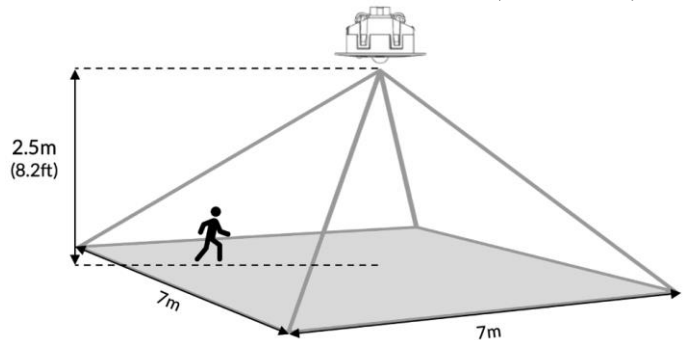
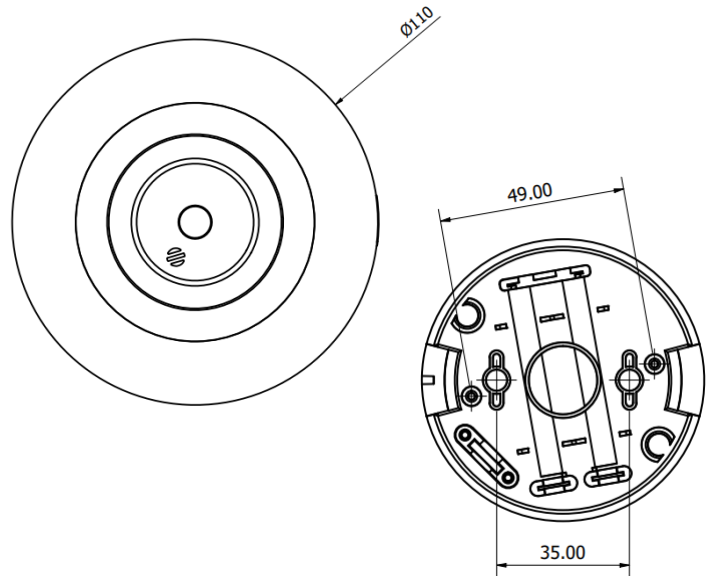
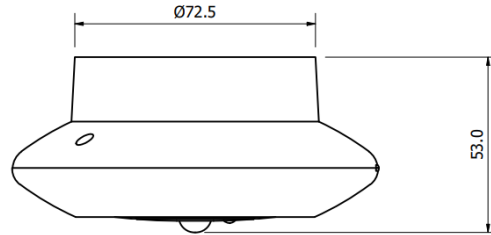
6-way push-fit input 1.5mm (16AWG) recommended
L/L/N/N/E/E

Mains Input

Mains Supply: 230Vac +/- 10%; 50Hz

Do NOT fit within one meter of forced air heating or ventilation, or other sources of heat or draughts
Do NOT fit so that direct sunlight or artificial light passes straight into the unit
Do not obscure sensor by fixtures and fittings
Do NOT fit on a moving or vibrating surface

Technical Data



www.prolojik.com



+44 (0) 1495 515 100



info@prolojik.com



Perspective House, 7 Cliveden Office Village,
Lancaster Road, High Wycombe, HP12 3YZ

proxima