

## Bluetooth & LinkPower Multi Sensor

The Prolojik PS463 is a Bluetooth 4.0 and LinkPower multi-function sensor goes beyond control and monitoring to provide sophisticated telemetry.

Prolojik PS463 sensor has been designed to complement the Prolojik range of lighting control modules and DALI controllers and are available in a range of lens types and finishes. The LinkPower network allows high bandwidth data including occupancy, daylight, temperature and Bluetooth® BLE telemetry data to be shared in real time with third party data systems.



### Key Features

- Passive infra-red sensor
- Light level sensor
- Temperature sensor
- Integrated BLE gateway
- High throughput LinkPower network

### Accessories

- PS-LINK
- GC310 IR scene controller
- GSC180 Short RJ11 cable

---

Prolojik | Perspective House | 7 Cliveden Office Village | Lancaster Road  
High Wycombe | Buckinghamshire HP12 3YZ | United Kingdom  
+44 (0)1494 515100 | [info@prolojik.com](mailto:info@prolojik.com) | [prolojik.com](http://prolojik.com)

## Bluetooth & LinkPower Multi Sensor

### Specification

#### Occupancy

Sensor type: Passive Infra-red, Quad Element  
 Field of view: 360°  
 Coverage: At 2.5m ceiling - 7 meters max

#### Light Level

Accuracy: 0 to 1020 Lux in 10 lux steps  
 Field of View: 360°

#### Temperature

Sensor range: -5°C to +50°C  
 0.3°C Accuracy  
 1 second acquisition rate

#### Wireless Specification

Bluetooth® V4.0 Single Mode  
 Frequency 2.402-2.480 GHz  
 Max transmit Power 4dBm  
 Receive Sensitivity -91dBm (typical)  
 Whisper mode Down to -55dBm (transmit)  
 Link Budget 95 dB (@1Mbps)  
 Raw Data Rates 1Mbps (over the air)

#### Network communications

Differential Manchester encoded signalling for polarity-insensitive network wiring  
 78 kilobits per second  
 Low power consumption

#### Active Infra-red Receiver

Used for walk test identification  
 Used for dimming & scene setting

#### Environment

Storage Temperature: -10°C to +60°C  
 Humidity: 0% - 90% non-condensing

#### In Use

Temperature: 0 to +50°C (Occupancy lower)  
 Humidity: 10% - 90% non-condensing

#### Conformity & Standards

EMC emissions: EN 61000-6-3  
 EMC immunity: EN 61000-6-1  
 Housing material flame-proof ABS  
 LonWorks FT-10  
 IEC Standard 62386-102  
 ARCOM MasterSpec 2013 Classification 29 09 23  
 IP rating when installed IP31

#### Dimensions

43.5mm deep x 53mm diameter  
 Weight 35g  
 Cut out diameter: 40mm

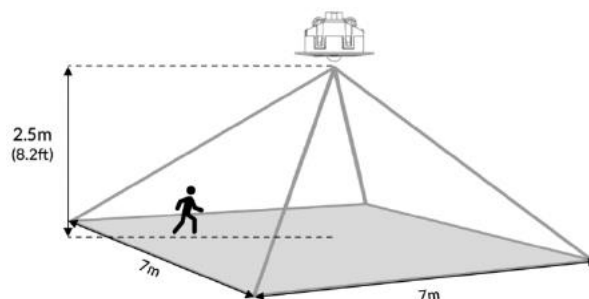
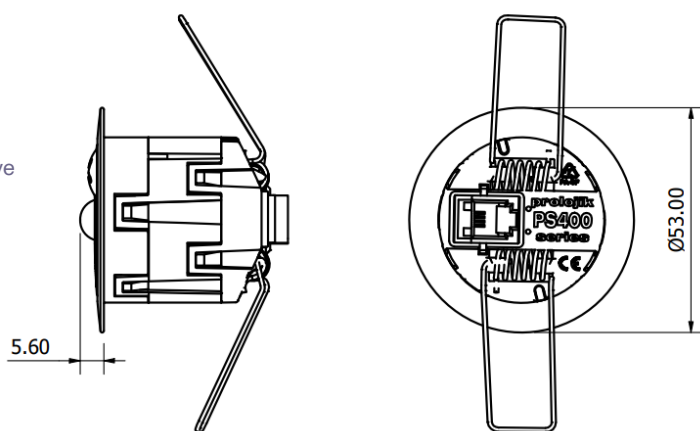
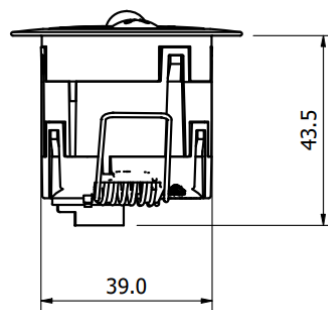
#### Power Consumption

40mA nominal consumption at 12VDC

#### PS463 Connector

RJ11 4x4 – cable supplied

### Technical Data



#### Installation

For use with ceiling tiles from 1 to 20 mm thick  
 A hole of 40mm diameter should cut in the tile before fitting

Do NOT fit within one meter of forced air heating or ventilation, or other sources of heat or draughts

Do NOT obscure sensor by fixtures and fittings  
 Do NOT fit on a moving or vibrating surface

#### Colour

White – RAL9003  
 Black – RAL9005

Prolojik | Perspective House | 7 Cliveden Office Village | Lancaster Road  
 High Wycombe | Buckinghamshire HP12 3YZ | United Kingdom  
 +44 (0)1494 515100 | info@prolojik.com | prolojik.com