

HEX Sensor

The Prolojik PS467 HEX multi-function sensor delivers high accuracy measurement of multiple space parameters in a compact form-factor. Prolojik PS467 HEX sensors incorporates temperature, relative humidity sensor, VOC, occupancy, illuminance and CO₂ measurement and has been designed to complement the Prolojik range of lighting control modules and DALI controllers, and are available in a range of finishes.



supplied with RJ11 to RJ11 cable

Key Features

- Passive infra-red sensor
- Light level sensor
- Temperature sensor
- Relative humidity sensor
- VOC sensor
- CO₂ sensor

Accessories

- PS-LINK
- GC310 IR scene controller
- GSC180 Short RJ11 cable

Prolojik | Perspective House | 7 Cliveden Office Village | Lancaster Road
High Wycombe | Buckinghamshire HP12 3YZ | United Kingdom
+44 (0)1494 515100 | info@prolojik.com | prolojik.com

HEX Sensor

Specification

Occupancy

Sensor type: Passive Infra-red, Quad Element
 Field of view: 360°
 Coverage: At 2.5m ceiling - 7 meters max

Light Level

Accuracy: 0 to 1020 Lux in 10 lux steps
 Field of View: 360°

Temperature

Sensor range: -5°C to +50°C
 0.3°C Accuracy
 1 second acquisition rate

Relative Humidity

Accuracy: 5% to 95% RH
 2% accuracy, 1s acquisition rate

Volatile Organic Compounds

Accuracy: 0-1187ppb, 60s acquisition rate

CO2

Accuracy: 400-8192ppm, 60s acquisition rate
 (an equivalent CO2 measurement based on total VOC concentrations)

Active Infra-red Receiver

Used for walk test identification
 Used for dimming & scene setting

Environment

Storage Temperature: -10°C to +60°C
 Humidity: 0% - 90% non-condensing

In Use

Temperature: 0 to +50°C (Occupancy lower)
 Humidity: 10% - 90% non-condensing

Conformity & Standards

EMC emissions: EN 61000-6-3
 EMC immunity: EN 61000-6-1
 Housing material flame-proof ABS
 LonWorks FT-10
 IEC Standard 62386-102
 ARCOM MasterSpec 2013 Classification 29 09 23
 IP rating when installed IP31

Dimensions

43.5mm deep x 53mm diameter
 Weight 35g
 Cut out diameter: 40mm

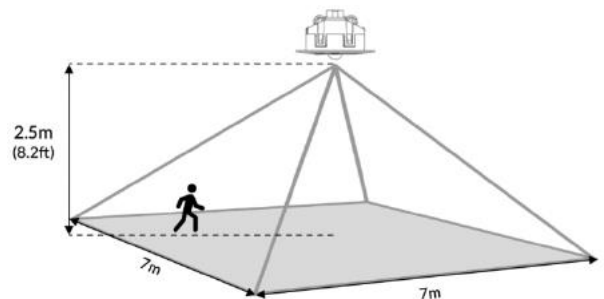
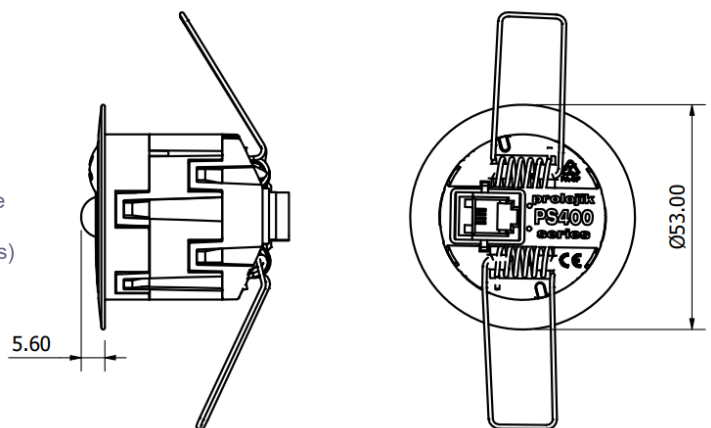
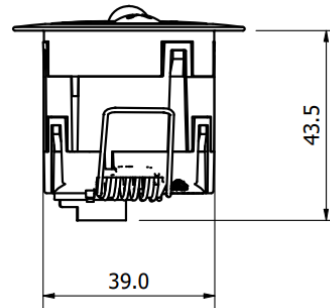
Power Consumption

40mA nominal consumption at 12VDC

PS467 Connector

RJ11 4x4 – cable supplied

Technical Data



Installation

For use with ceiling tiles from 1 to 20 mm thick
 A hole of 40mm diameter should cut in the tile before fitting

Do NOT fit within one meter of forced air heating or ventilation, or other sources of heat or draughts

Do NOT obscure sensor by fixtures and fittings
 Do NOT fit on a moving or vibrating surface

Colour

White – RAL9003
 Black – RAL9005

Prolojik | Perspective House | 7 Cliveden Office Village | Lancaster Road
 High Wycombe | Buckinghamshire HP12 3YZ | United Kingdom
 +44 (0)1494 515100 | info@prolojik.com | prolojik.com